

Cookes

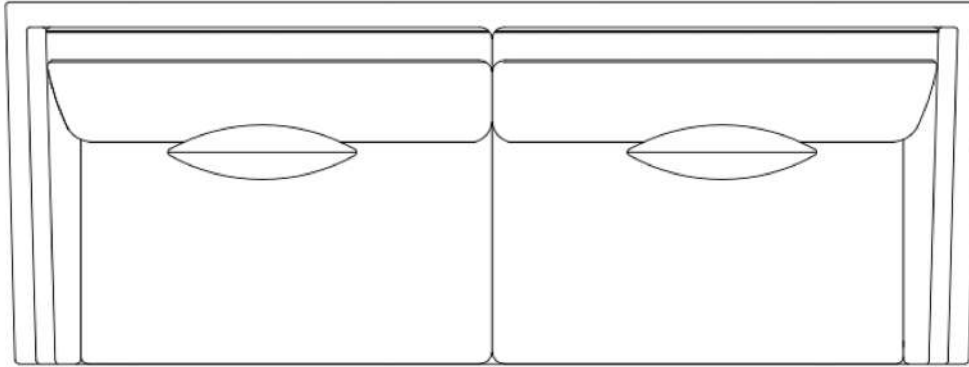
LIFE well furnished



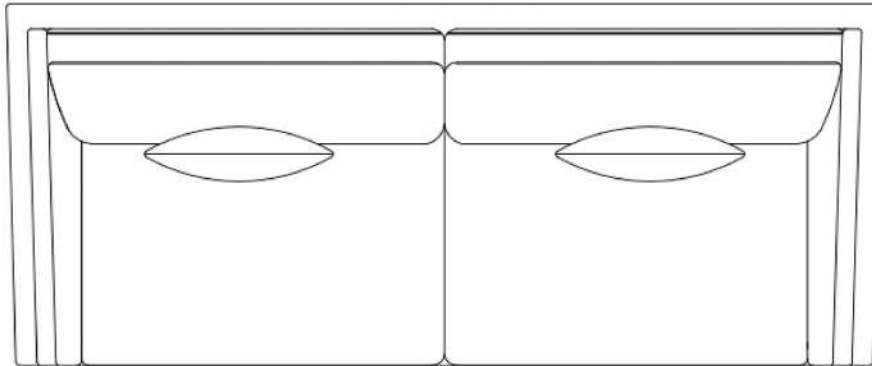
LONGMONT

CONFIGURATIONS

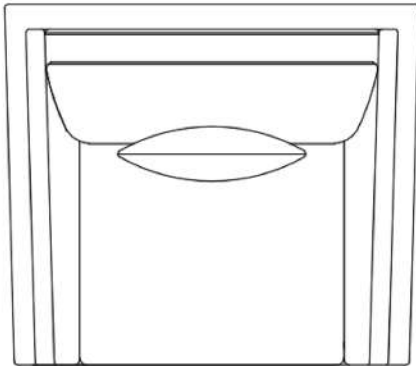
4 Seater



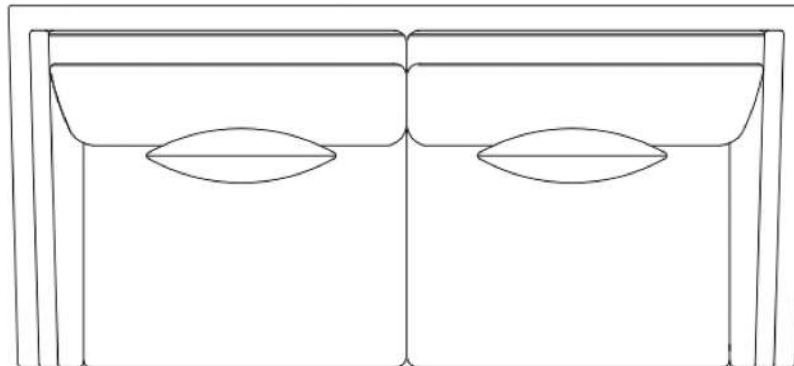
3 Seater



1 Seater



2.5 Seater



SPECIFICATIONS

| | |
|-----------------------|------------------------------|
| Frame: | Local Hardwood and Plywood |
| Suspension: | S Spring and Elastic Webbing |
| Seat Cushion Filling: | Foam and Mixed Fibre |
| Back Cushion Filling: | Mixed Fibre |

FINISHES

| | |
|---------|---|
| Fabric: | Tier 1 - Acrylic Wool-Blend Linen, Forest Basket Weave, Mixt Linen, Native Linen, Pacific Basket Weave, Performamnce Thin Chenille Yarn Dyed, Performance Dobby Hemp Blend, Performance Native Linen, Stratus Linen. |
| | Tier 2 - Bamboo Linen, Breeze Linen, Performance Acrylic Wool Blend, Performance Bamboo Linen, Performance Forest Woven Linen, Performance Mixt Linen, Performance Solutioned Acrylic, Performance Stratus Linen, Weighty Pure. |

PRICING

| | FABRIC | |
|------------|--------|--------|
| | Tier 1 | Tier 2 |
| 1 Seater | | |
| 2.5 Seater | | |
| 3 Seater | | |
| 4 Seater | | |

DIMENSIONS

| | W | D | H | A.H ^[1] | S.W ^[2] | S.D ^[3] | S.H ^[4] | K.G |
|------------|-----|-----|----|--------------------|--------------------|--------------------|--------------------|-----|
| 1 Seater | 121 | 106 | 86 | 63 | 67 | 65 | 48 | 47 |
| 2.5 Seater | 232 | 106 | 86 | 63 | 178 | 65 | 48 | 82 |
| 3 Seater | 255 | 106 | 86 | 63 | 202 | 65 | 48 | 98 |
| 4 Seater | 284 | 106 | 86 | 63 | 230 | 65 | 48 | 109 |

Cookes | LIFE well furnished

^[1] Arm Height, ^[2] Seat Width, ^[3] Seat Depth, ^[4] Seat Height.