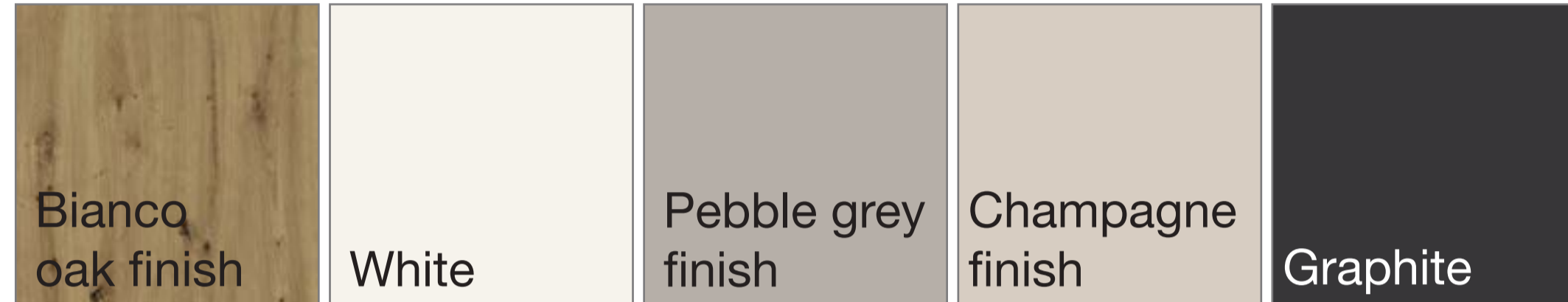
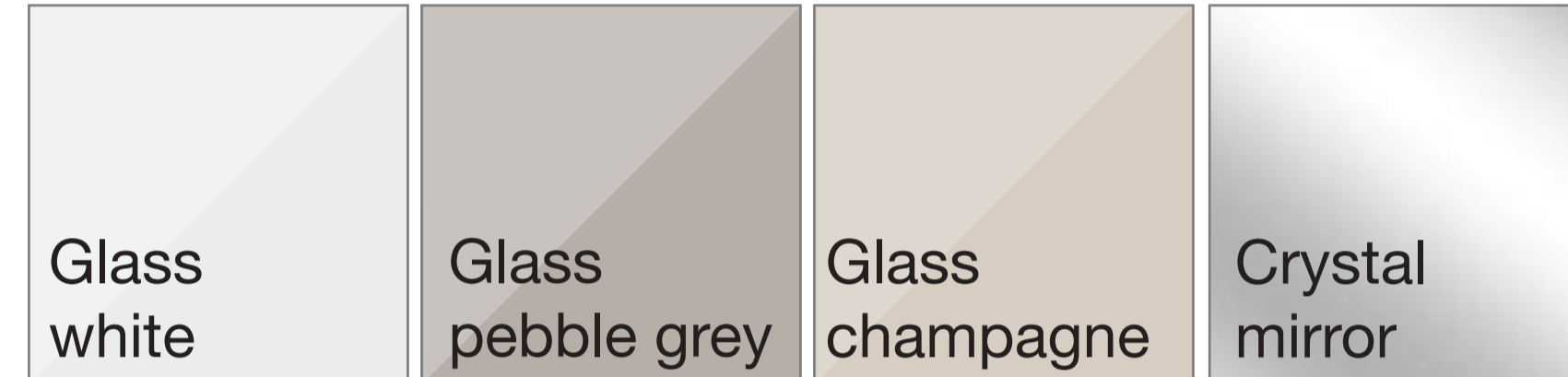


Colours

Carcase and door options



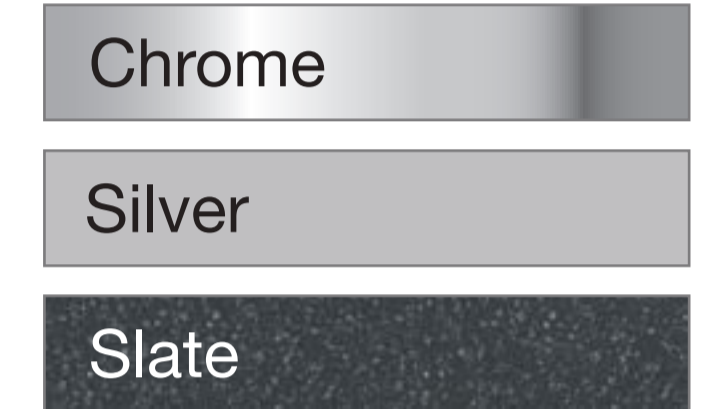
Drawer / Door options



Interior colour

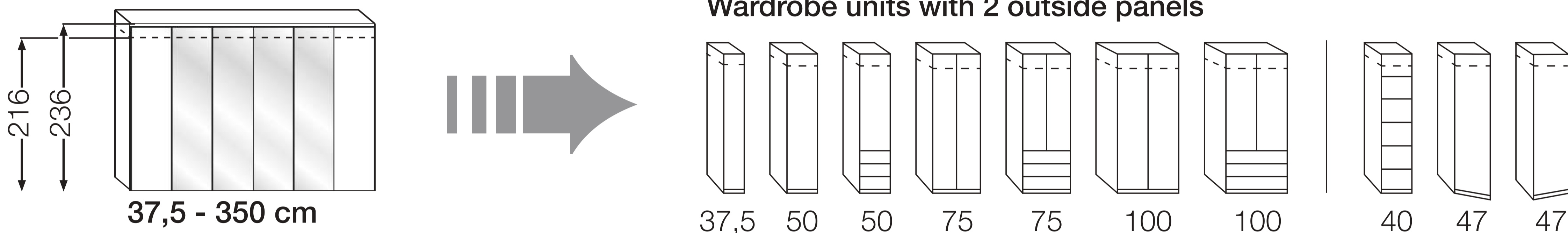


Handles, handle ledges and bed feet



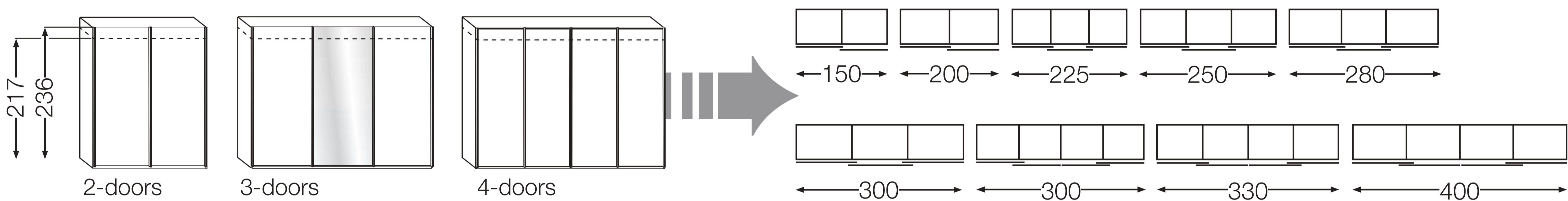
Hinged-doors, bi-fold-doors and combination wardrobes

Grid width 12,5 cm – 2 heights

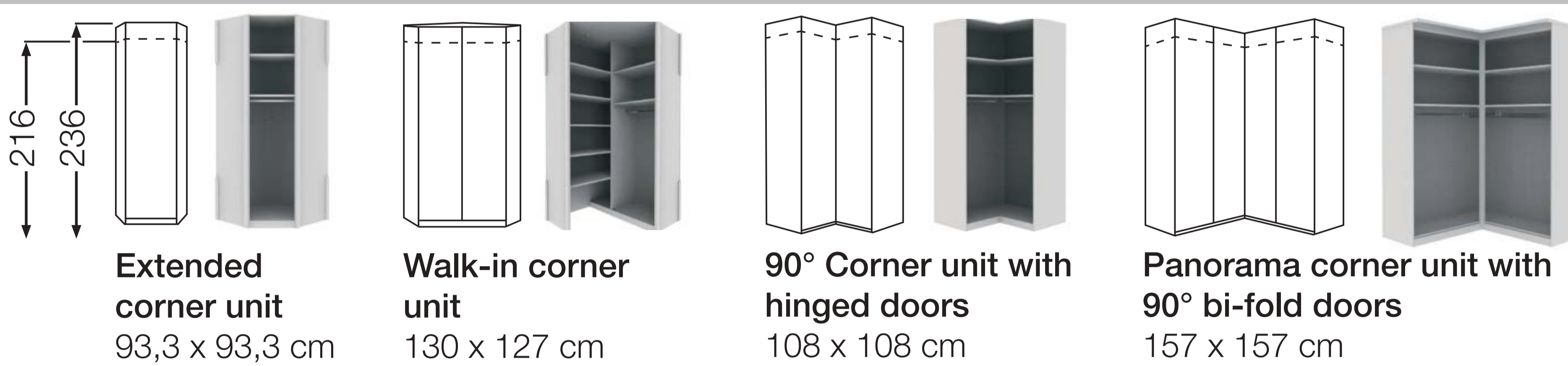


Sliding-door wardrobes

9 different widths – 150 until 400 cm – 2 heights



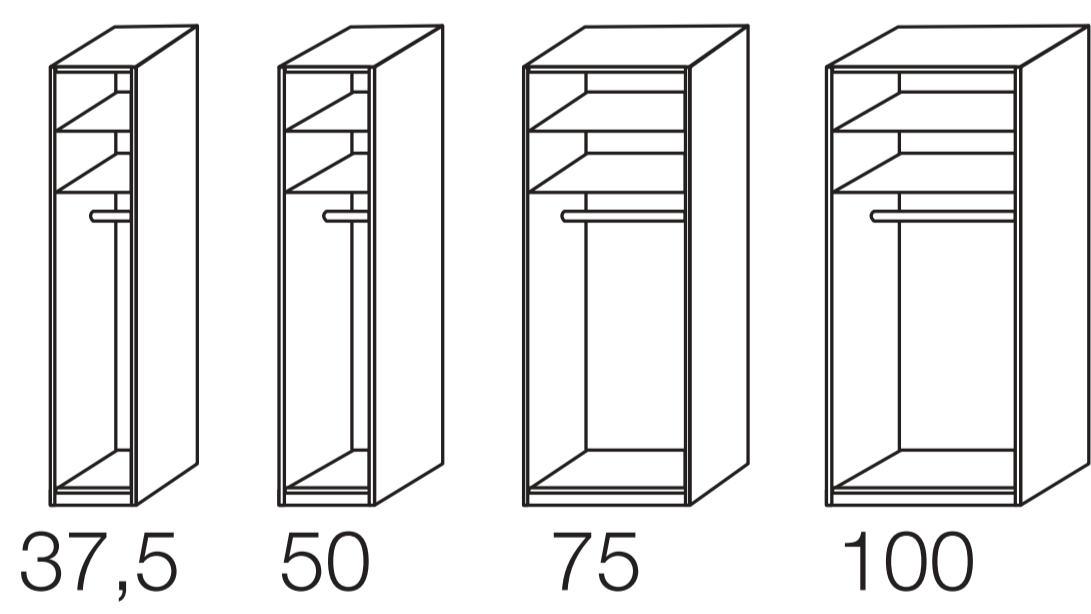
Corner units



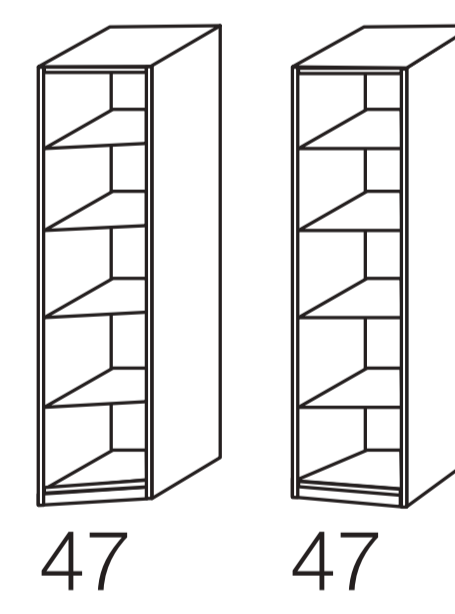
The open carcase system



Basic- and add-on-elements



End units



Corner units



Wardrobe accessories

- 1 Extra shelf(yes)
- 2 Trouser holder
- 3 Drawer insert
- 4 Hanging rail
- 5 Tie and belt pull-out
- 6 Shoe rack
- 7 Laundry insert with 3 shelves and 1 hanging rail
- 8 Drawer insert, stackable and height adjustable
- 9 LED light screen for shelves
- 10 Drawer unit with glass fronts
- 11 Utensil pull-out



Beds

With wooden or upholstered headboard. Bedframe in carcase colour of choice.



Headboard cushion in faux leather



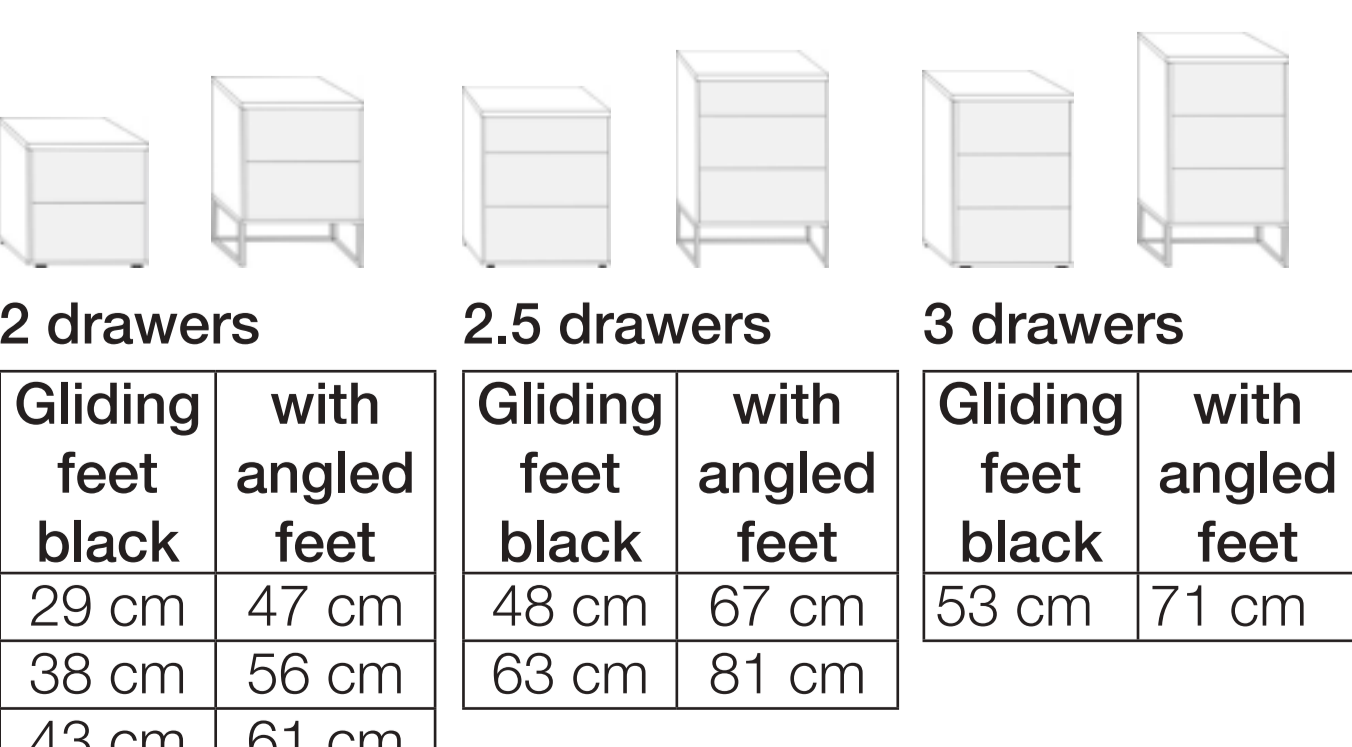
Bed dimensions in cm

Width	90	140	150	160	180
Length	190	190	200	200	200

Bedside cabinets and Chest of drawers

Bedside cabinets, in 12 heights and 2 widths

Width 40 and 60 cm
For heights please see below

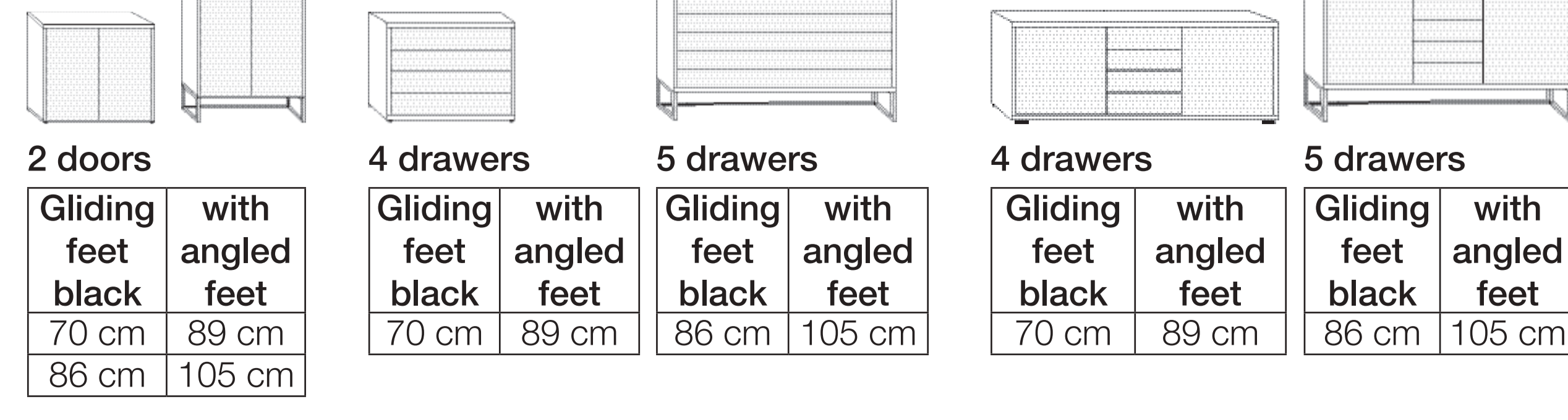


Drawer units, in 4 heights and 4 widths

Width 80 cm
For heights please see below

Width 40, 60, 80 and 141 cm
For heights please see below

Width 141 cm
For heights please see below



PROVEN QUALITY

