

X-TEND

rauch ORANGE +



EASY
SLIDE

Cookes

LIFE well furnished



"line"



"frame"



"line"

Sliding door wardrobes

2 design lines



"frame"



"line"

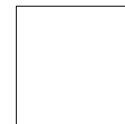
- Carcase: Choice of 4 colour finishes
- Fronts: Colour, high polish, colour glass, mirror or effect glass
- Handle strips: Aluminium, chrome or carcass colour

For extras, see **rauch ORANGE + EXTRAS b)** on pages 226-233.

Front/Carcase:



Artisan oak colour



Alpine white



Silk grey



Graphite

Front:



High polish white



High polish soft grey



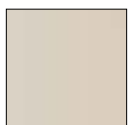
Crystal white colour glass



Silk grey colour glass



Basalt colour glass



Champagne colour glass



Very easy to plan using:

furn plan

RAUCH MÖBELPLANNER

X-TEND

rauch ORANGE +



Cookes | LIFE well furnished

X-TEND

rauch ORANGE +



"line-2 (Wardrobe incl. Accessories)"

1	COL. CODE	FRONT ▶	HIGH POLISH	COLOUR GLASS			
CARCASE COLOUR ▼	White	Soft grey	Crystal white	Silk grey	champagne	Basalt	
Artisan oak colour	A233 _L	A235 _L	A230 _L	A231 _L	A2A2 _L	A232 _L	

2	HANDLE STRIP COLOUR	CARCASE COLOUR (PG 2) = K

3	SLIDING DOOR WARDROBES			137	181	Mix & match options:
Shaded area = Front variation	Width in cm			Combination consists of: 1x Sliding door wardrobe, 2 doors 1x set of 3 shelves, 67 cm 1x set of 2 dampers for sliding wardrobes	Combination consists of: 1x Sliding door wardrobe, 2 doors 1x Drawer unit, 90 cm 1x Interior division, 90 cm 1x set of 2 dampers for sliding wardrobes	Colour finish with high polish or colour finish with colour glass
	Depth 68 cm					
	Description	Left door sections in front variation		Left door sections in front variation		
	Description	Right door sections in carcass colour		Right door sections in carcass colour		
	Carcass division (cm)	67 67		90 90		
HEIGHT 223 CM	▼ Price group	▼ Art. no.	▼ Price	HEIGHT 223 CM		
High polish	PG 2	0HD0		0HD1		
Colour glass	PG 2	0FD0		0FD1		


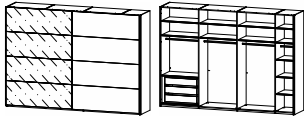
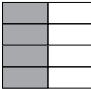
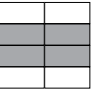


3	SLIDING DOOR WARDROBES			226	271	Mix & match options:
Shaded area = Front variation	Width in cm			Combination consists of: 1x Sliding door wardrobe, 2 doors 1x Drawer unit, 90 cm 1x set of 3 shelves, 45 cm 1x set of 2 dampers for sliding wardrobes	Combination consists of: 1x Sliding door wardrobe, 2 doors 1x Drawer unit, 45 cm 1x set of 3 shelves, 45 cm 1x set of 2 dampers for sliding wardrobes	Colour finish with high polish or colour finish with colour glass
	Depth 68 cm					
	Description	Left door sections in front variation		Left door sections in front variation		
	Description	Right door sections in carcass colour		Right door sections in carcass colour		
	Carcass division (cm)	90 90 45		45 90 90 45		
HEIGHT 223 CM	▼ Price group	▼ Art. no.	▼ Price	HEIGHT 223 CM		
High polish	PG 2	0HD2		0HA0		
Colour glass	PG 2	0FD2		0FD3		



"line-2 (wWardrobe incl. Accessories)"

1	COL. CODE	FRONT ▶	HIGH POLISH	COLOUR GLASS			
CARCASE COLOUR ▼	White	Soft grey	Crystal white	Silk grey	champagne	Basalt	
Artisan oak colour	A233 _L	A235 _L	A230 _L	A231 _L	A2A2 _L	A232 _L	

2	HANDLE STRIP COLOUR	CARCASE COLOUR (PG 2) = K

3	Width in cm		316		HEIGHT 223 CM	
SLIDING DOOR WARD-ROBES  Shaded area = Front variation	Depth 68 cm			Combination consists of: 1x Sliding door wardrobe, 2 doors 1x Drawer unit, 90 cm 1x set of 3 shelves, 45 cm 1x set of 2 dampers for sliding wardrobes		Mix & match options: Colour finish with high polish or colour finish with colour glass  
	Description	Left door sections in front variation				
	Description	Right door sections in carcass colour				
	Carcass division (cm)	90 90 90 45				
HEIGHT 223 CM	▼ Price group	▼ Art. no.	▼ Price	HEIGHT 223 CM		
 High polish	PG 2	0HD4				
 Colour glass	PG 2	0FD4				

X-TEND

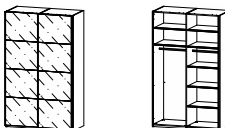
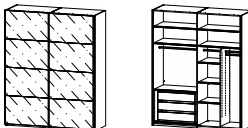
rauch ORANGE +

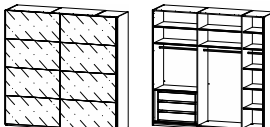
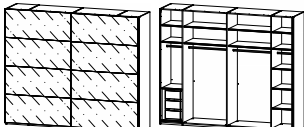


"line-4 (Wardrobe incl. Accessories)"

1	COL. CODE	FRONT ▶	COLOUR GLASS			
CARCASE COLOUR ▼	Crystal white	Silk grey	Basalt			
Alpine white	A441					
Silk grey		A453				
Graphite			A458			

2	HANDLE STRIP COLOUR	ALUMINIUM COLOUR (PG 1) = A

3	SLIDING DOOR WARDROBES		137	181	
SLIDING DOOR WARDROBES	Width in cm		 <p>Combination consists of: 1x Sliding door wardrobe, 2 doors 1x set of 3 shelves, 67 cm 1x set of 2 dampers for sliding wardrobes</p>	 <p>Combination consists of: 1x Sliding door wardrobe, 2 doors 1x Drawer unit, 90 cm 1x Interior division, 90 cm 1x set of 2 dampers for sliding wardrobes</p>	
	Depth 68 cm				
	Description	All door sections in front variation		All door sections in front variation	
	Carcase division (cm)	67 67		90 90	
HEIGHT 223 CM	▼ Price group	▼ Art. no.	▼ Price	...	HEIGHT 223 CM
Colour glass	PG 1	0FG0			0FG1

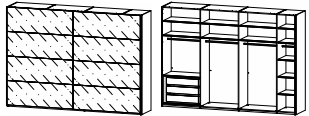

SLIDING DOOR WARDROBES		226	271		
SLIDING DOOR WARDROBES	Width in cm	 <p>Combination consists of: 1x Sliding door wardrobe, 2 doors 1x Drawer unit, 90 cm 1x set of 3 shelves, 45 cm 1x set of 2 dampers for sliding wardrobes</p>	 <p>Combination consists of: 1x Sliding door wardrobe, 2 doors 1x Drawer unit, 45 cm 1x set of 3 shelves, 45 cm 1x set of 2 dampers for sliding wardrobes</p>		
	Depth 68 cm				
	Description	All door sections in front variation		All door sections in front variation	
	Carcase division (cm)	90 90 45	45 90 90 45		
HEIGHT 223 CM	▼ Price group	▼ Art. no.	▼ Price	...	HEIGHT 223 CM
Colour glass	PG 1	0FG2			0FG3



"line-4 (Wardrobe incl. Accessories)"

1		COL. CODE	FRONT ▶	COLOUR GLASS			
CARCASE COLOUR ▼		Crystal white	Silk grey	Basalt			
Alpine white		A441					
Silk grey			A453				
Graphite				A458			

2		HANDLE STRIP COLOUR	ALUMINIUM COLOUR (PG 1) = A

3		Width in cm	316					
SLIDING DOOR WARD-ROBES	Depth 68 cm		<p>Combination consists of:</p> <ul style="list-style-type: none"> 1x Sliding door wardrobe, 2 doors 1x Drawer unit, 90 cm 1x set of 3 shelves, 45 cm 1x set of 2 dampers for sliding wardrobes 					
	Description	All door sections in front variation						
	Carcase division (cm)	90 90 90 45						
HEIGHT 223 CM		▼ Price group	▼ Art. no.	▼ Price	...			HEIGHT 223 CM
 Colour glass	PG 1	0FG4						

X-TEND

rauch ORANGE +



"frame-1 (Mirror)"

1	COL. CODE	FRONT ▶	COLOUR	HIGH POLISH	COLOUR GLASS				
CARCASE COLOUR ▼			Carcase coloured	White	Soft grey	Crystal white	Silk grey	Basalt	champagne
Artisan oak colour			A194_	A198_	A199_	A195_	A196_	A197_	A1B2_
Alpine white			A170_	A174_	A191_	A171_	A172_	A173_	A1B0_
Silk grey			A190_	A185_	A192_	A182_	A183_	A184_	-
Graphite			A110_	A189_	A193_	A186_	A187_	A188_	A1B1_

2	HANDLE STRIP COLOUR	ALUMINIUM COLOUR (PG 1) = A	CHROME COLOUR (PG 2) = C	CARCASE COLOUR (PG 2) = K	GRAPHITE (PG 2) = Q
---	---------------------	-----------------------------	--------------------------	---------------------------	---------------------

3	Width in cm	181	226	271	316				
SLIDING DOOR WARD-ROBES Shaded area = Mirror	Depth 68 cm								
	Description	Front frame in front variation, middle door sections with mirror	Front frame in front variation, middle door sections with mirror	Front frame in front variation, middle door sections with mirror	Front frame in front variation, middle door sections with mirror				
	Description	middle door sections with mirror	middle door sections with mirror	middle door sections with mirror	middle door sections with mirror				
	Carcase division (cm)	90 90	90 90 45	45 90 90 45	90 90 90 45				
HEIGHT 223 CM	▼ Price group	▼ Art. no.	▼ Price	...	HEIGHT 223 CM				
Colour	PG 1	5SD2		5SD3		5SD4		5SD5	
	PG 2								
High polish	PG 1	5SH2		5SH3		5SH4		5SH5	
	PG 2								
Colour glass	PG 1	5790		5791		5792		5770	
	PG 2								


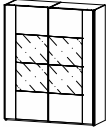

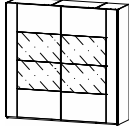
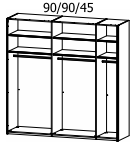
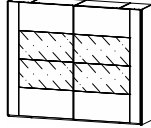

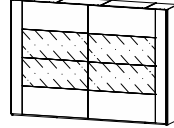
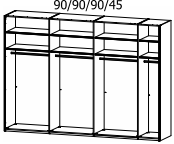

HEIGHT 236 CM	▼ Price group	▼ Art. no.	▼ Price	...	HEIGHT 236 CM				
Colour	PG 1	1SD2		1SD3		1SD4		1SD5	
	PG 2								
High polish	PG 1	1SH2		1SH3		1SH4		1SH5	
	PG 2								
Colour glass	PG 1	1790		1791		1792		1770	
	PG 2								



"frame-2 (Silk grey colour glass)"

1		COL. CODE	FRONT ▶	COLOUR
CARCASE COLOUR ▼		Carcase colours with silk grey colour glass		
Alpine white		A274_		

2	HANDLE STRIP COLOUR	ALUMINIUM COLOUR (PG 1) = A	CHROME COLOUR (PG 2) = C	CARCASE COLOUR (PG 2) = K	GRAPHITE (PG 2) = Q
---	---------------------	-----------------------------	--------------------------	---------------------------	---------------------

3		Width in cm	181	226	271	316			
SLIDING DOOR WARD-ROBES  Shaded area = Silk grey colour glass	Depth 68 cm	 	 	 	 				
	Description	Front frame in front variation,	Front frame in front variation,	Front frame in front variation,	Front frame in front variation,				
	Description	Middle door sections in silk grey colour glass	Middle door sections in silk grey colour glass	Middle door sections in silk grey colour glass	Middle door sections in silk grey colour glass				
	Carcase division (cm)	90 90	90 90 45	45 90 90 45	90 90 90 45				
HEIGHT 223 CM	▼ Price group	▼ Art. no.	▼ Price	...	HEIGHT 223 CM				
 Colour	PG 1	5DG1		5DG2		5DG3		5DG4	
	PG 2								

HEIGHT 236 CM		▼ Price group	▼ Art. no.	▼ Price	...	HEIGHT 236 CM			
 Colour	PG 1	1DG1		1DG2		1DG3		1DG4	
	PG 2								

X-TEND

rauch ORANGE +



"line-1 (Mirror)"

1	COL. CODE	FRONT ▶	COLOUR	HIGH POLISH	COLOUR GLASS					
CARCASE COLOUR ▼			Carcase coloured	White	Soft grey	Crystal white	Silk grey	Basalt	champagne	Grey mirror
Artisan oak colour			A129└	A133└	A135└	A130└	A131└	A132└	A1A2└	A161└
Alpine white			A140└	A144└	A120└	A141└	A142└	A143└	A1A0└	A112└
Silk grey			A138└	A155└	A122└	A152└	A153└	A154└	-	A113└
Graphite			A137└	A159└	A127└	A156└	A157└	A158└	A1A1└	A117└

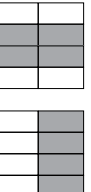
2	HANDLE STRIP COLOUR	ALUMINIUM COLOUR (PG 1) = A	CHROME COLOUR (PG 2) = C	CARCASE COLOUR (PG 2) = K	GRAPHITE (PG 2) = Q
---	---------------------	-----------------------------	--------------------------	---------------------------	---------------------

3	Width in cm	137	181	226	271	316
SLIDING DOOR WARD-ROBES	Depth 68 cm					
	Description	Left door sections in front variation	Left door sections in front variation	Left door sections in front variation	Left door sections in front variation	Left door sections in front variation
	Description	Right door sections with mirror	Right door sections with mirror	Right door sections with mirror	Right door sections with mirror	Right door sections with mirror
	Carcase division (cm)	67 67	90 90	90 90 45	45 90 90 45	90 90 90 45

HEIGHT 223 CM	▼ Price group	▼ Art. no.	▼ Price	...	HEIGHT 223 CM		
Colour	PG 1	5720		55S0	55S1	55S2	55S3
	PG 2						
High polish	PG 1	56T1		56T3	541A	541B	541D
	PG 2						
Colour glass	PG 1	56K3		56K6	56K7	56K8	56KN
	PG 2						

HEIGHT 236 CM	▼ Price group	▼ Art. no.	▼ Price	...	HEIGHT 236 CM		
Colour	PG 1	1520		15S0	15S1	15S2	15S3
	PG 2						
High polish	PG 1	16T1		16T3	141F	141B	141D
	PG 2						
Colour glass	PG 1	16K3		16K6	16K7	16K8	16KN
	PG 2						

Mix & match options:
 Colour finish with mirror, high polish with mirror, or colour glass with mirror



"line-2 (2-colour)"

1	COL. CODE	FRONT ▶	HIGH POLISH		COLOUR GLASS			
CARCASE COLOUR ▼	White	Soft grey	Crystal white	Silk grey	Basalt	champagne	Grey mirror	
Artisan oak colour	A233_	A235_	A230_	A231_	A232_	A2A2_	A261_	
Alpine white	A244_	A220_	A241_	A242_	A243_	A2A0_	A212_	
Silk grey	A255_	A222_	A252_	A253_	A254_	-	A213_	
Graphite	A259_	A227_	A256_	A257_	A258_	A2A1_	A217_	

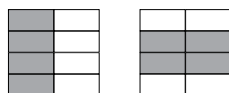
2	HANDLE STRIP COLOUR	ALUMINIUM COLOUR (PG 1) = A	CHROME COLOUR (PG 2) = C	CARCASE COLOUR (PG 2) = K	GRAPHITE (PG 2) = Q
---	---------------------	-----------------------------	--------------------------	---------------------------	---------------------

3	Width in cm	137	181	226	271	316
SLIDING DOOR WARD-ROBES	Depth 68 cm					
	Description	Left door sections in front variation	Left door sections in front variation	Left door sections in front variation	Left door sections in front variation	Left door sections in front variation
	Description	Right door sections in carcass colour	Right door sections in carcass colour	Right door sections in carcass colour	Right door sections in carcass colour	Right door sections in carcass colour
	Carcass division (cm)	67 67	90 90	90 90 45	45 90 90 45	90 90 90 45

HEIGHT 223 CM	▼ Price group	▼ Art. no.	▼ Price	...	HEIGHT 223 CM		
High polish	PG 1	4HA3		4HA4	4HA5	4HA6	4HA7
	PG 2						
Colour glass	PG 1	5GF1		5GF2	5GF3	5GF4	5GF5
	PG 2						

HEIGHT 236 CM	▼ Price group	▼ Art. no.	▼ Price	...	HEIGHT 236 CM		
High polish	PG 1	1HA3		1HA4	1HA5	1HA6	1HA7
	PG 2						
Colour glass	PG 1	1GF1		1GF2	1GF3	1GF4	1GF5
	PG 2						

Mix & match options:
Colour finish with high polish or colour finish with colour glass

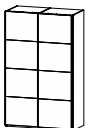
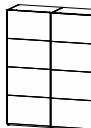
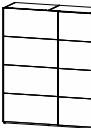
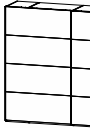
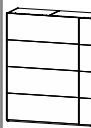




"line-4 (1-colour)"

1	COL. CODE	FRONT ▶	COLOUR	HIGH POLISH	COLOUR GLASS					
CARCASE COLOUR ▼			Carcase coloured	White	Soft grey	Crystal white	Silk grey	Basalt	champagne	Grey mirror
Artisan oak colour	A429	└	A429	A433	A435	A430	A431	A432	A4A2	A461
Alpine white	A440	└	A440	A444	A420	A441	A442	A443	A4A0	A412
Silk grey	A460	└	A460	A455	A422	A452	A453	A454	-	A413
Graphite	A470	└	A470	A459	A427	A456	A457	A458	A4A1	A417

2	HANDLE STRIP COLOUR	ALUMINIUM COLOUR (PG 1) = A	CHROME COLOUR (PG 2) = C	CARCASE COLOUR (PG 2) = K	GRAPHITE (PG 2) = Q
---	---------------------	-----------------------------	--------------------------	---------------------------	---------------------

3	SLIDING DOOR WARD-ROBES	Width in cm	137	181	226	271	316
		Depth 68 cm					
	Description	All door sections in front variation		All door sections in front variation		All door sections in front variation	
	Carcase division (cm)	67 67		90 90		45 90 90 45	

HEIGHT 223 CM	▼ Price group	▼ Art. no.	▼ Price	...	HEIGHT 223 CM		
Colour	PG 1	4430		45S0	45S1	45S2	45S3
	PG 2						
High polish	PG 1	47S7		45S7	45S8	45S9	4409
	PG 2						
Colour glass	PG 1	56K2		56KC	56KJ	56KL	56K9
	PG 2						

HEIGHT 236 CM	▼ Price group	▼ Art. no.	▼ Price	...	HEIGHT 236 CM		
Colour	PG 1	13S7		13S0	13S1	13S2	13S3
	PG 2						
High polish	PG 1	14S7		16T4	1405	1408	1409
	PG 2						
Colour glass	PG 1	16K4		16KC	16KJ	16KL	16K9
	PG 2						

1	COL. CODE	
	CARCASE COLOUR ▼	
	Artisan oak colour	
	Alpine white	
	Silk grey	
	Graphite	
		Please order passepartouts using wardrobe colour code.

2		Width in cm	145	189	234	279	324
	PASSEPARTOUT IN CARCASE COLOUR Please order using wardrobe colour code.	Total depth incl. wardrobe: 69.3 cm					
		Illustration					
	Description	passepartout	passepartout	passepartout	passepartout	passepartout	passepartout
	HEIGHT 226 CM	▼ Art. no.	▼ Price	...	HEIGHT 226 CM		
	without lighting	9P81		9PM1	9PS1	9PS3	9PS4
	with horizontal LED lighting	9P80		9PN2	9PV6	9PV7	9PV8

	HEIGHT 239 CM	▼ Art. no.	▼ Price	...	HEIGHT 239 CM		
	without lighting	9P97		9PZ1	9PT1	9PT3	9PT4
	with horizontal LED lighting	9P96		9PZ2	9PW6	9PW7	9PW8

3	Accessories	▼ Art. no.	▼ Price
	Please order using colour code A0066.		
	set of 2 dampers for sliding wardrobes EASY SLIDE	9DM1	

Lighting for passepartouts

This product contains a light source of the energy efficiency class E.
EPREL 766798

X-TEND

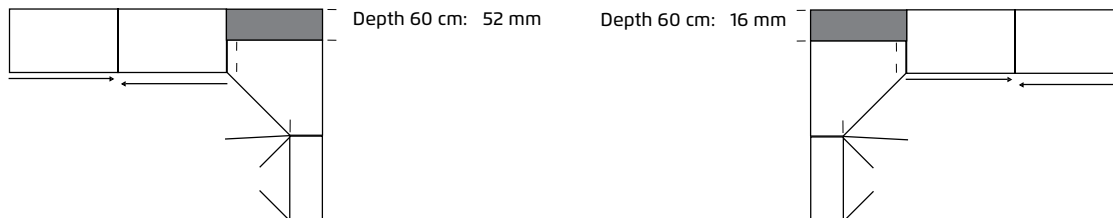
rauch ORANGE +

1	COL. CODE	FRONT ▶	COLOUR	HIGH POLISH	COLOUR GLASS				
CARCASE COLOUR ▼			Carcase coloured	White	Soft grey	Crystal white	Silk grey	Basalt	Grey mirror - NEW
Artisan oak colour			A129_	A133_	A135_	A130_	A131_	A132_	A161_
Alpine white			A140_	A144_	A120_	A141_	A142_	A143_	A112_
Silk grey			A138_	A155_	A122_	A152_	A153_	A154_	A113_
Graphite			A137_	A159_	A127_	A156_	A157_	A158_	A117_

2	HANDLE STRIP COLOUR	ALUMINIUM COLOUR (PG 1) = A	CHROME COLOUR (PG 2) = C	CARCASE COLOUR (PG 2) = K
---	---------------------	-----------------------------	--------------------------	---------------------------



3	ACCESSORIES	Spacer	Spacer			
	HEIGHT 223 CM AND 236 CM			* Extends wardrobe width by 1.6 cm *A spacer must always be used if a sliding-door robe is fitted next to a hinged-door robe!		
	Description	spacer H 223 cm*	spacer H 236 cm*			
	Description	incl. depth-compensating profile	incl. depth-compensating profile			
	▼ Front	▼ Art. no.	▼ Price	...		
	Spacers in carcase colour	9DL1		9DL2		


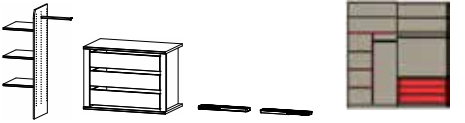
When fitting a sliding door robe next to a corner-robe, the corner-robe must be brought forward (different depths).



Cookes | LIFE well furnished

EXTRAS	
Colour ▼	Col. code
Texline (natural-colour linen look)	A0066

		CLASSIC	PREMIUM
INTERIOR PACKAGE FOR SLIDING DOOR ROBES 135	Drawing		
	Description	Accessory package: Set of 3 Shelves, set of 2 door dampers,	Accessory package: Set of 3 Shelves, set of 2 door dampers, Drawer unit w 70 cm
	▼ Width		
Sliding door robe ↔ 135 cm	0CS0	0PS0	

		CLASSIC	PREMIUM
INTERIOR PACKAGE FOR SLIDING DOOR ROBES 181	Drawing		
	Description	Accessory package: 1/2 - 1/2 division w 90 cm, set of 2 door dampers	Accessory package: 1/2 - 1/2 division w 90 cm, drawer unit w 90 cm, set of 2 door dampers
	▼ Width		
Sliding door robe ↔ 181 cm	0VC4	0VP4	

X-TEND

rauch ORANGE +

EXTRAS	
Colour ▼	Col. code
Texline (natural-colour linen look)	A0066

		CLASSIC	PREMIUM
INTERIOR PACKAGE FOR SLIDING DOOR ROBES 226	Drawing		
	Description	Accessory package: 1/2 - 1/2 division w 90 cm, shelf w 45 cm, set of 2 door dampers, pull-out shelf w 45 cm	Accessory package: 1/2 - 1/2 division w 90 cm, drawer unit w 90 cm, set of 2 door dampers, pull-out shelf w 45 cm
	▼ Width		
Sliding door robe ↔ 226 cm	0VC5	0VP5	

		CLASSIC	PREMIUM
INTERIOR PACKAGE FOR SLIDING DOOR ROBES 271	Drawing		
	Description	Accessory package: 1/2 - 1/2 division w 90 cm, shelf w 45 cm, pull-out shelf w 45 cm, set of 2 door dampers, clothes rail w 45 cm	Accessory package: 1/2 - 1/2 division w 90 cm, drawer unit w 90 cm, shelf w 45 cm, set of 2 door dampers, clothes rail w 45 cm, pull-out shelf w 45 cm
	▼ Width		
Sliding door robe ↔ 271 cm	0VC6	0VP6	

Extras for SLIDING door wardrobes – Standard: 2 shelves and 1 hanging rail per unit – Please order with colour code **A0066**

	Width 137 cm		Width 181 cm		Width 226 cm			Width 271 cm				Width 316 cm			
	left unit	right unit	left unit	right unit	left unit	central unit	right unit	left unit	central unit	central unit	right unit	left unit	central unit	central unit	right unit
Wardrobe units	67	67	90	90	90	90	45	45	90	90	45	90	90	90	45
Hanging rail	9776	9776	9719	9719	9719	9719	9715	9715	9719	9719	9715	9719	9719	9719	9715
Shelf	9425	9425	9642	9642	9642	9642	9644	9644	9642	9642	9644	9642	9642	9642	9644
Set of 3 shelves	9426	9426	9632	9632	9632	9632	9634	9634	9632	9632	9634	9632	9632	9632	9634
Interior drawer	9S89	9S89	9S87	9S87	9S87	9S87	9S85	9S85	9S87	9S87	9S85	9S87	9S87	9S87	9S85
1/2-1/2-Division	✗	✗	9SJ5	9SJ5	9SJ5	9SJ5	✗	✗	9SJ5	9SJ5	✗	9SJ5	9SJ5	9SJ5	✗
Soft-Close	9DM1		9DM1		9DM1			9DM1				9DM1			

For extras, see **rauch ORANGE + EXTRAS b)** on pages 226-233.